

Features

- Location Indoor
- Function Light Sensor
- Type Ceiling
- Coverage 360°
- Coverage Area 450 Sq ft
- Ceiling Height 8 ft
- Time Delay 30 sec – 30 min
- Lux Level 20 – 2000 Lux
- Sensitivity Max – Min
- ConnectionWired
- Drive Relay
- Dimming No

Description

The ILCHCW-WR1 is a 360° Light control sensor. The design is based on a Light sensor when implemented will significantly reduce the energy consumption for the end user. The sensor operates by detecting the amount of light incident on the sensor that is a combination of both external or natural light and installed or artificial lighting in the room. The lights will turn OFF automatically when the combination of light (both external or natural light plus the installed lighting) exceeds the preset light level for the area. By automatically turning ON and turning OFF lights the user will be able to save significant amount of energy. This product is suitable for Indoor use only. This product is ideal for use in large office areas, large halls and cafeteria.

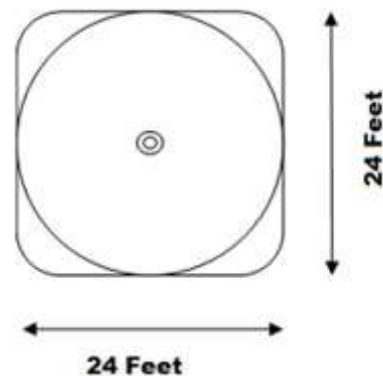
Operation

The light sensor will maintain the illumination in the room at a preset level. The sensor constantly measures the light level in the room, which includes the artificial light from the fixtures and the natural light coming from outside. The combination of both lights is used to maintain the light levels at a pre-set level by controlling (turning ON or OFF) the artificial light fixtures.

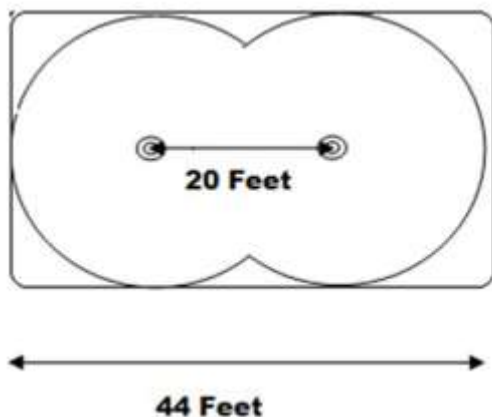
Coverage Area



The ILCHCW-WR1 has a circular sensing coverage area with a 24 feet diameter (450 Sq feet) and a sensing angle of 360°, when installed at a height of 8 feet. Sensitivity can be adjusted to detect minor movements over a distance of 12 feet from the sensor .These sensors can be used individually or can be ganged together to increase the coverage area.

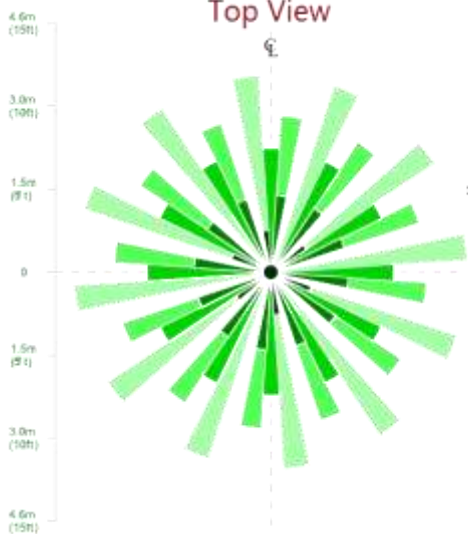


Standard installation.

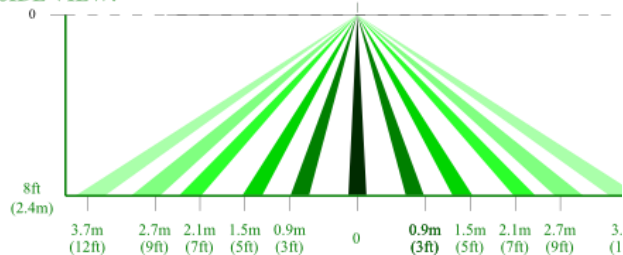


Parallel installation

Top View



SIDE VIEW:



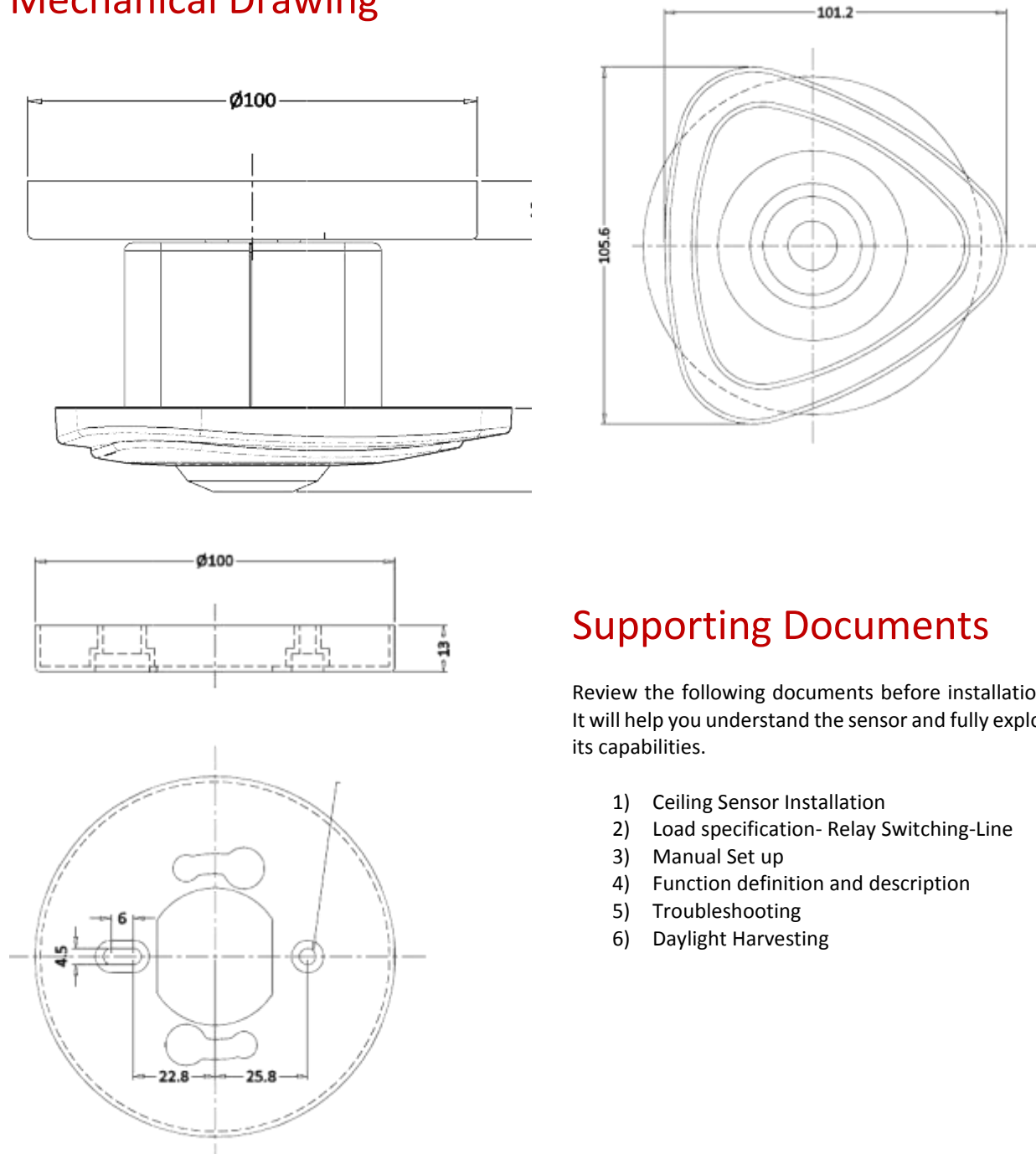
Electrical specifications

| | |
|---------------------------------|-----------------|
| Supply voltage | 85 – 265 VAC |
| Frequency | 50/60 Hz |
| Resistive Load @110 V | 1000 W |
| Resistive Load @220 V | 2000 W |
| Inductive Load @110 V | 500 W |
| Inductive Load @220 V | 1000 W |
| Min load | No load |
| Wire Designation | Line-In – Red |
| | Line-Out - Blue |
| | Neutral – Black |
| | Aux-In -Brown |

Environmental Specifications

| | |
|-------------------------------------|--------------------------------|
| Storage Temperature Range | 0°C to 50°C |
| Relative Humidity | 20% to 90% (non-condensing) |

Mechanical Drawing



Supporting Documents

Review the following documents before installation. It will help you understand the sensor and fully exploit its capabilities.

- 1) Ceiling Sensor Installation
- 2) Load specification- Relay Switching-Line
- 3) Manual Set up
- 4) Function definition and description
- 5) Troubleshooting
- 6) Daylight Harvesting